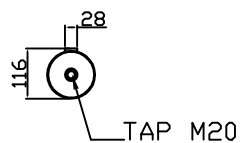
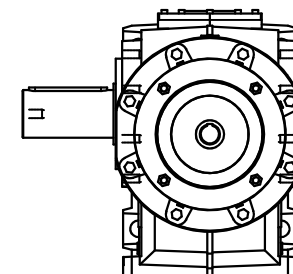
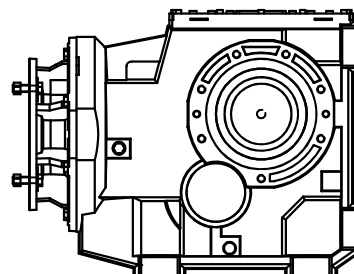
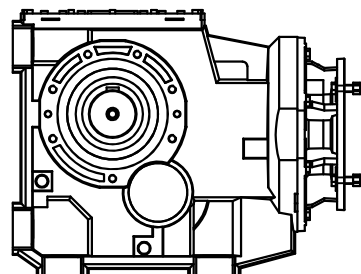
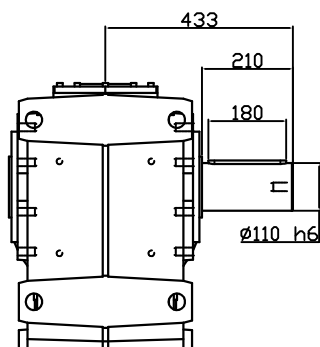
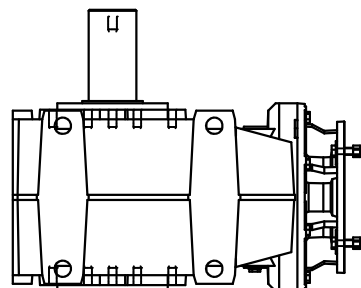


REDUCER SPEC	
MODEL	B163 AS
SERVICE FACTOR	
RATIO	
OUTPUT [rpm]	
OUTPUT TORQUE [Nm]	
WEIGHT [kg]	385



OUTPUT



(주)한국체인모터

Tel. 032-815-8888 Fax. 815-8020
www.hcmf.com

PROJECT		MOTOVARIO						
DRAWN	SEO Y.S	DATE		REV	A	SCALE	1:1	
CHECKED	KIM J.S	DATE		UNIT	MM	PAGE	-	
APPROVED	LEE J.Y	DATE		